

1 2 3 4 5 6

A

A

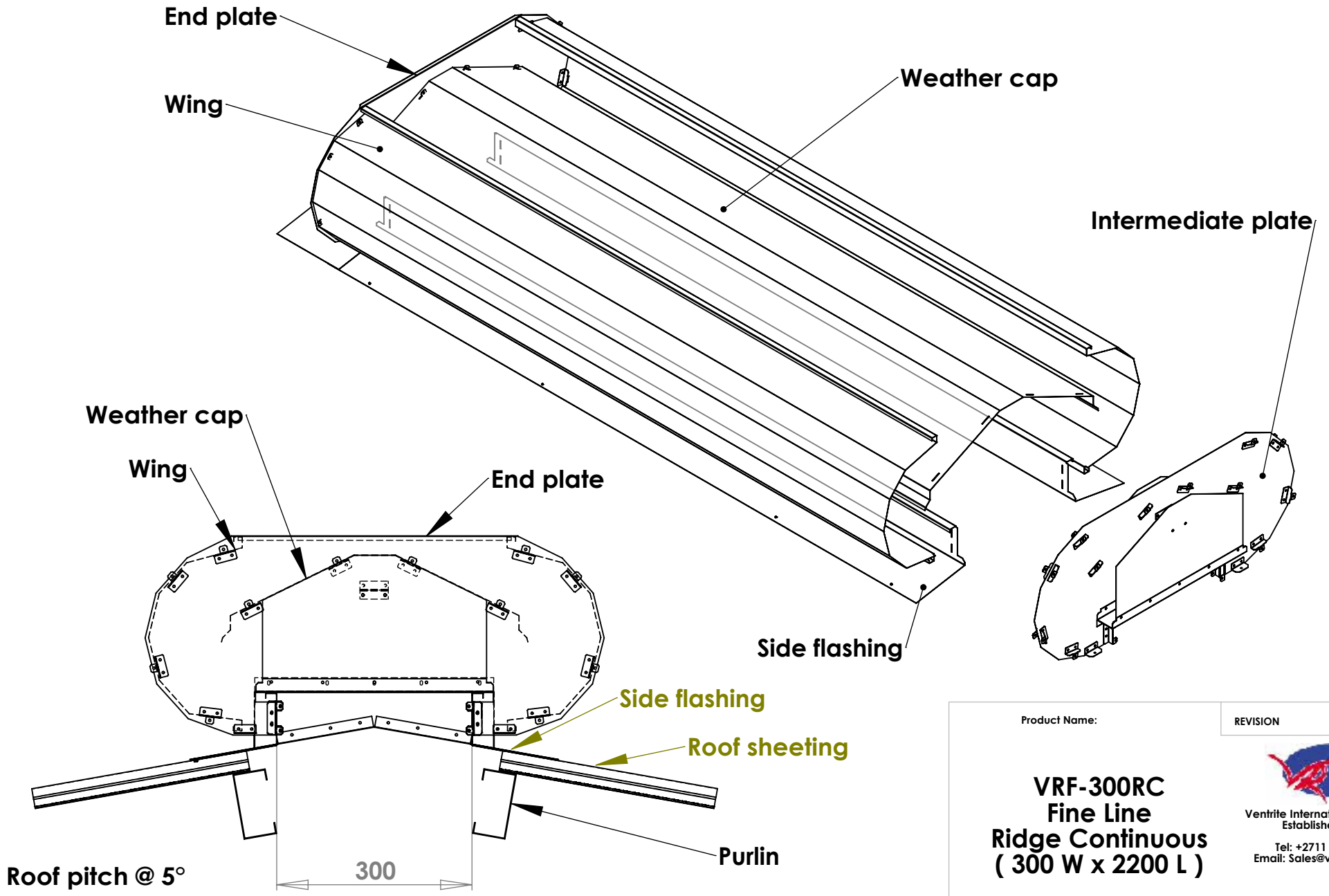
B

B

C

C

D



Product Name:

REVISION

VRF-300RC
Fine Line
Ridge Continuous
(300 W x 2200 L)



Ventrite International (Pty) LTD
 Established 1998
 Tel: +2711 975 1333
 Email: Sales@ventrite.co.za

DWG NO.

Fine Line - VRF300

A4